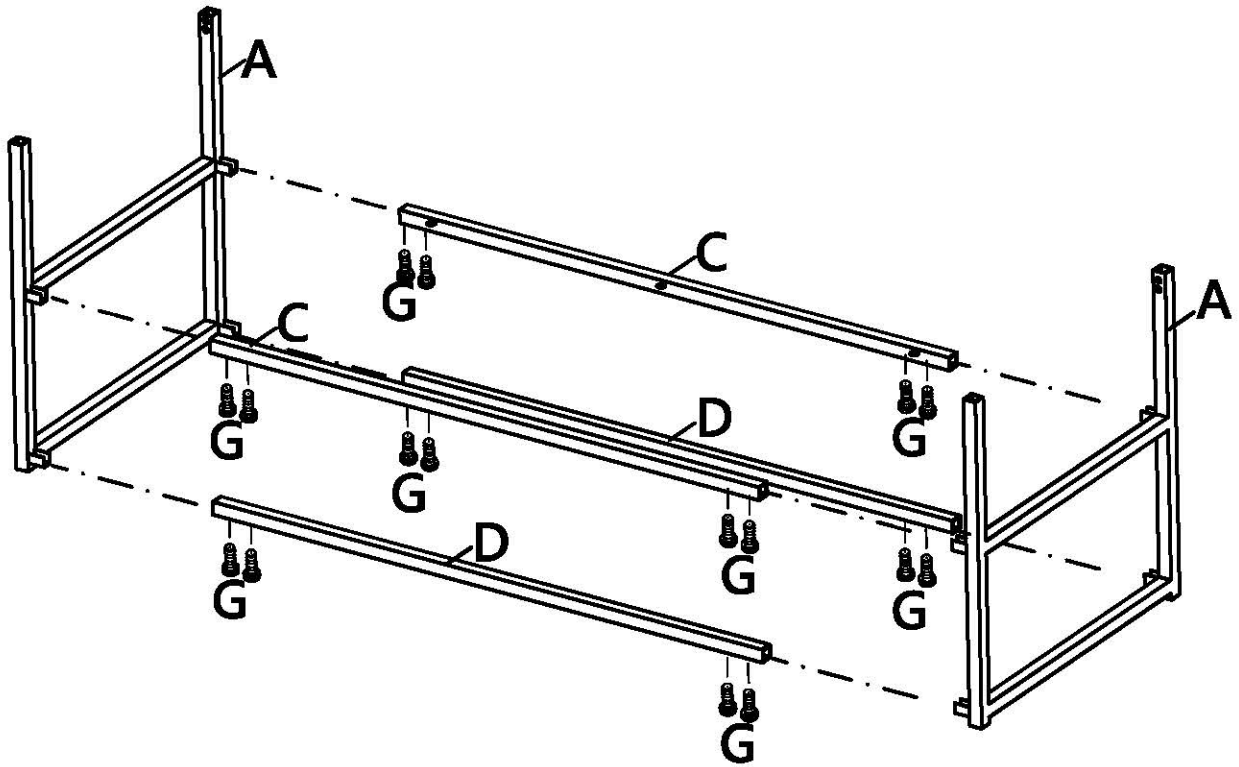
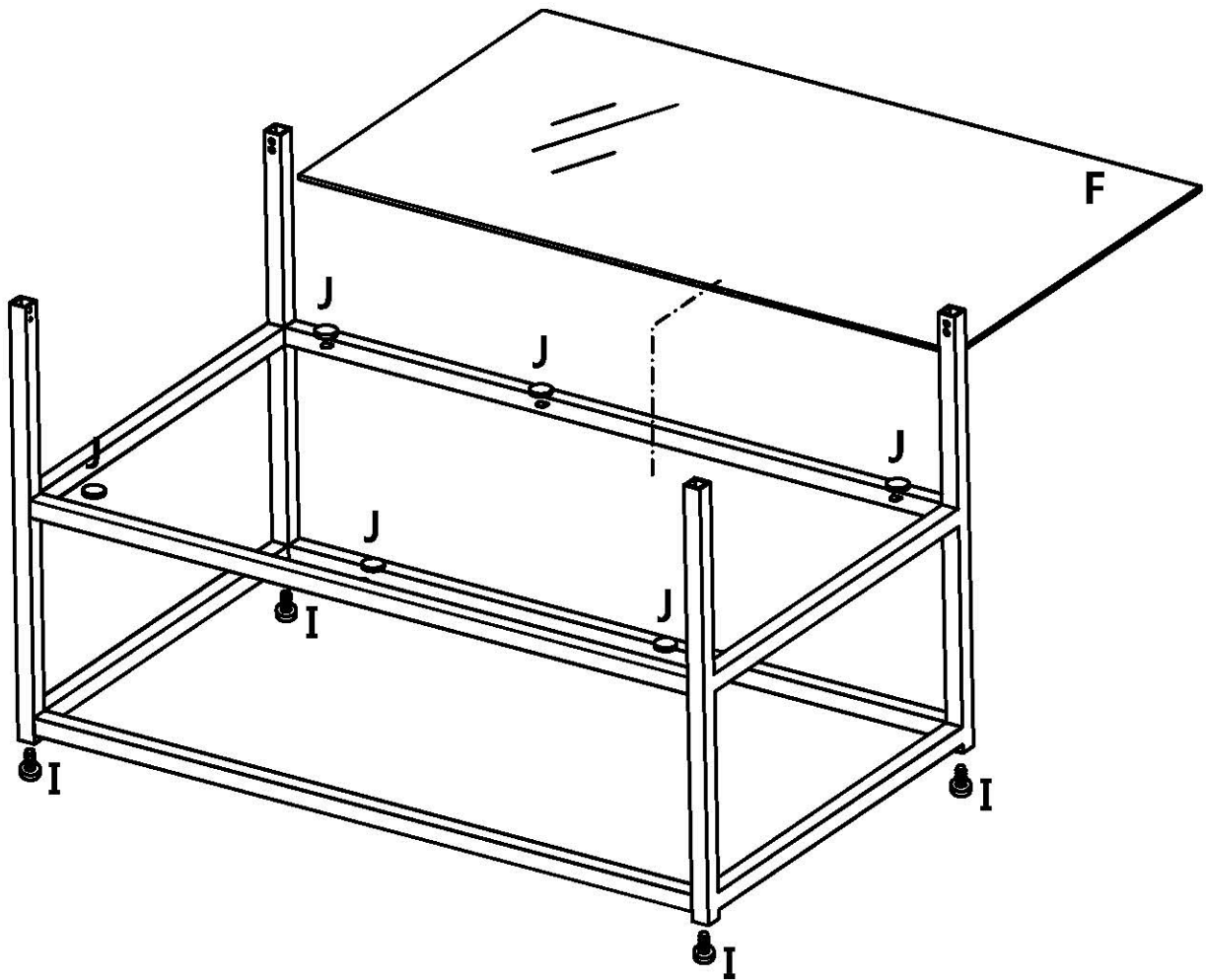


***** Do not tighten screws & bolts until the entire unit is completely assembled.**

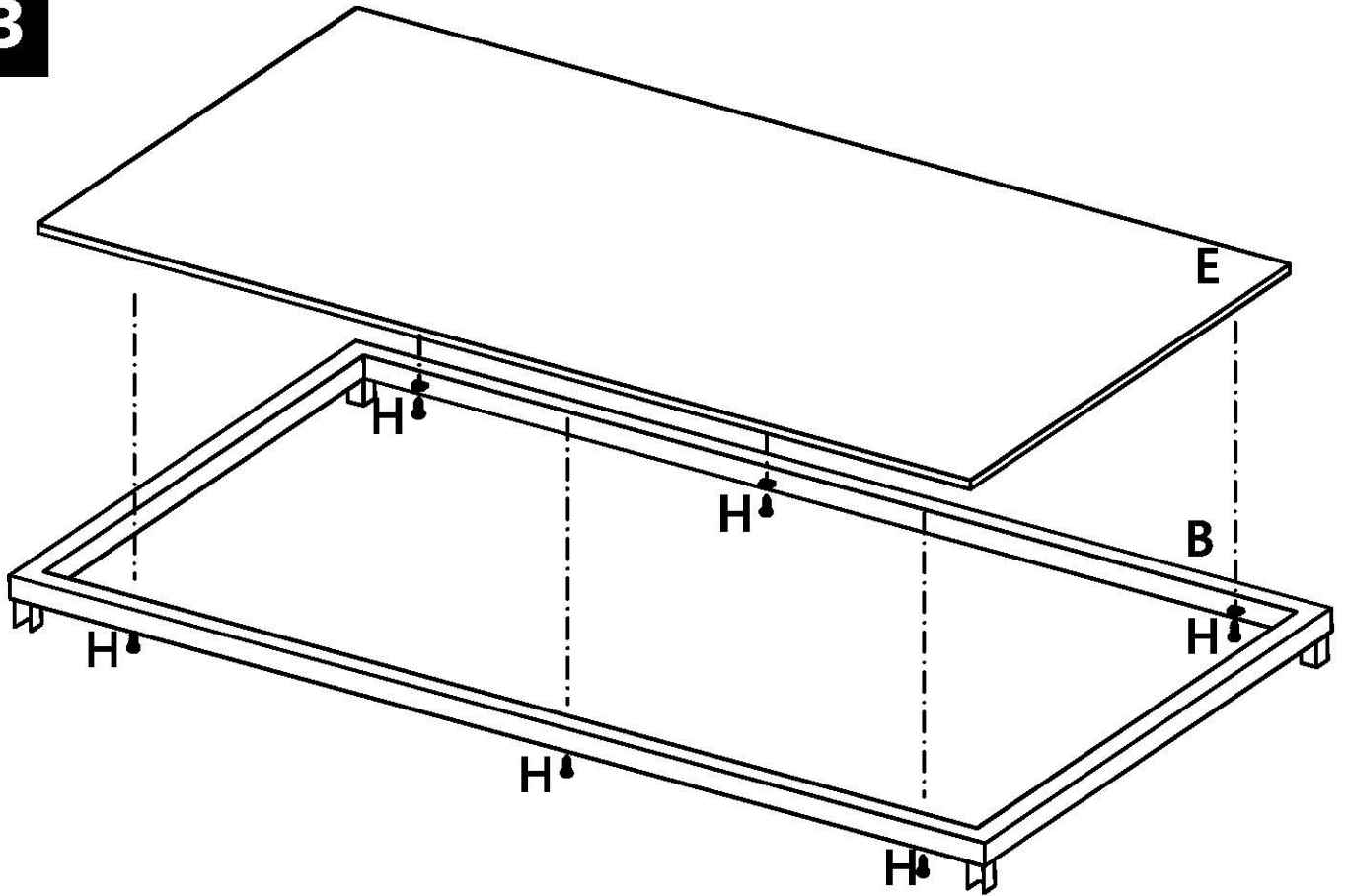
1



2



3



4

