

# ZIVAH-301-621

## Assembly Instruction/Instructions D'assemblage

Hardware List/ Liste de Materiel



H1X 10

BIG



H2 X 4

SMALL



H3X 1

BIG

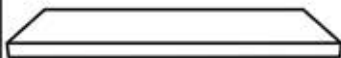


H4 X 1

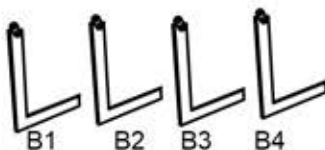
SMALL

Parts List/ Liste des Pieces

(A)



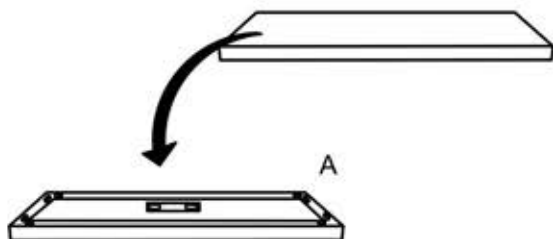
(B)



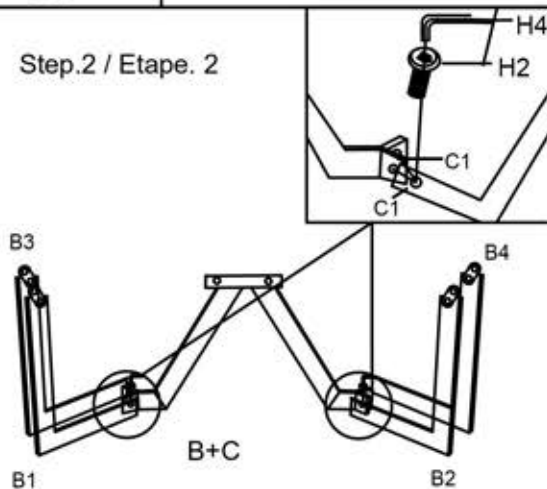
(C)



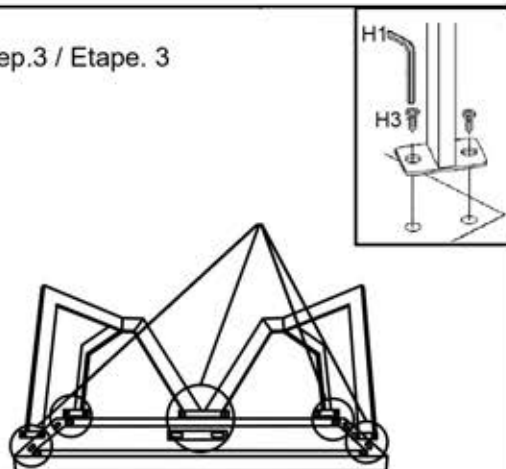
Step.1 / Etape. 1



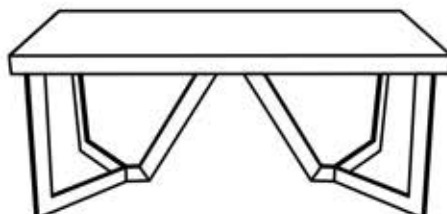
Step.2 / Etape. 2



Step.3 / Etape. 3



Step.4 / Etape. 4



A+B+C