

# ADITH 402-569

## ASSEMBLY INSTRUCTIONS INSTRUCTION D'ASSEMBLAGE

A×1



B×2



C×4



D×1



E×4



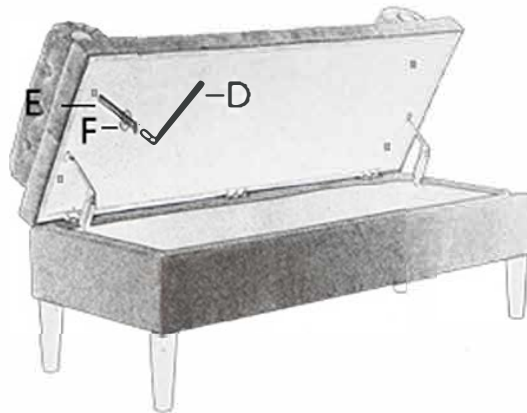
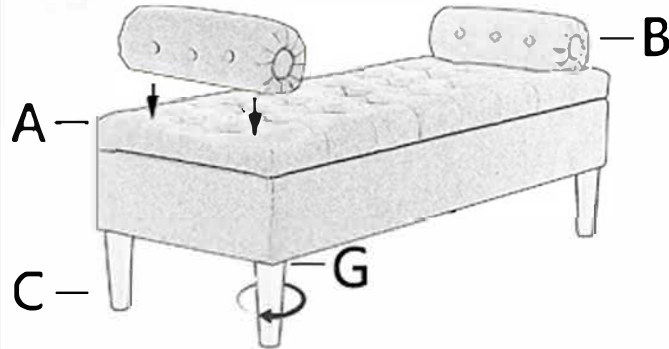
F×4



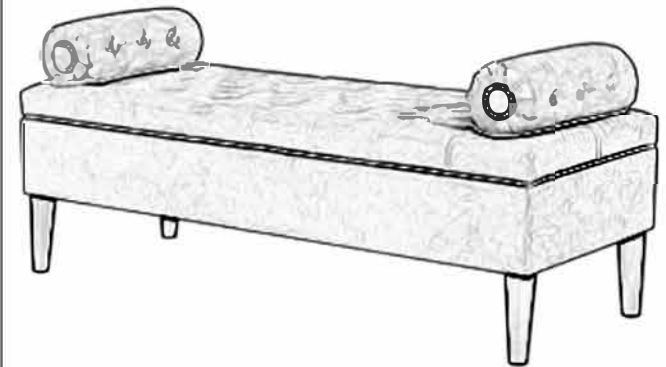
G×4



①



②



### WARNING:

DO NOT STAND ON THE PRODUCT, DO NOT USE THIS PRODUCT AS A STEP LADDER.  
DO NOT USE THIS PRODUCT UNLESS ALL BOLTS, SCREWS AND KNOBS ARE FIRMLY  
SECURED. PLEASE DO NOT USE KNIFE TO OPEN ANY PARTS OF THE BOX OR PRODUCT.