
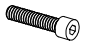




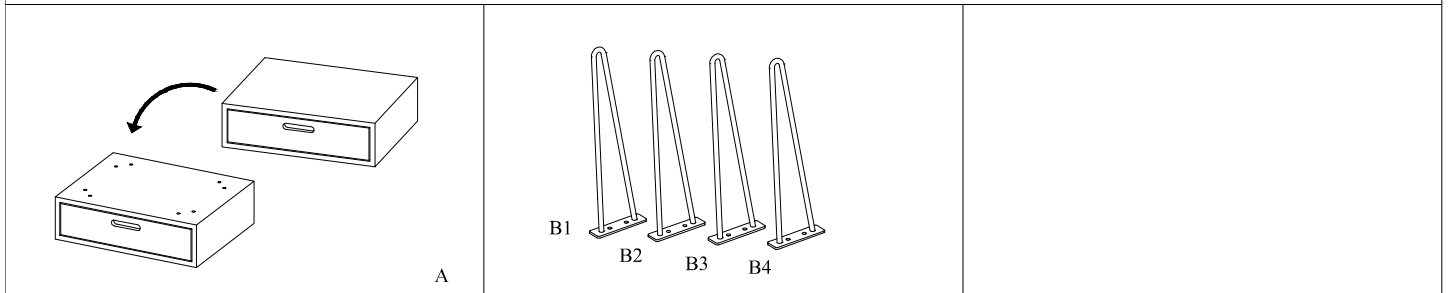
# JAYDO-501-137

## Assembly Instruction/ Instructions D' assemblage

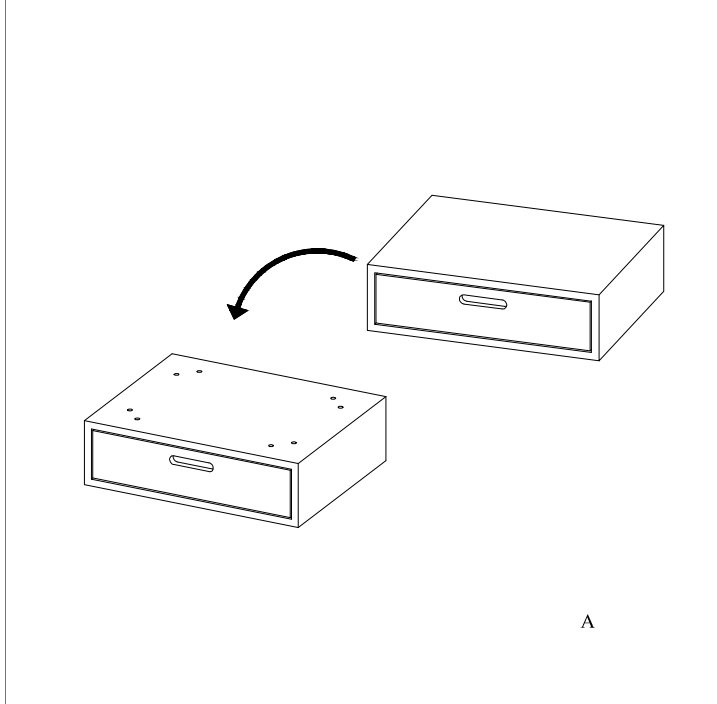
### Hardware List / Liste de Materiel

 H1 x 8	 H2 x 8	 H3 x 4	 H4 x 1
---	--	--	--

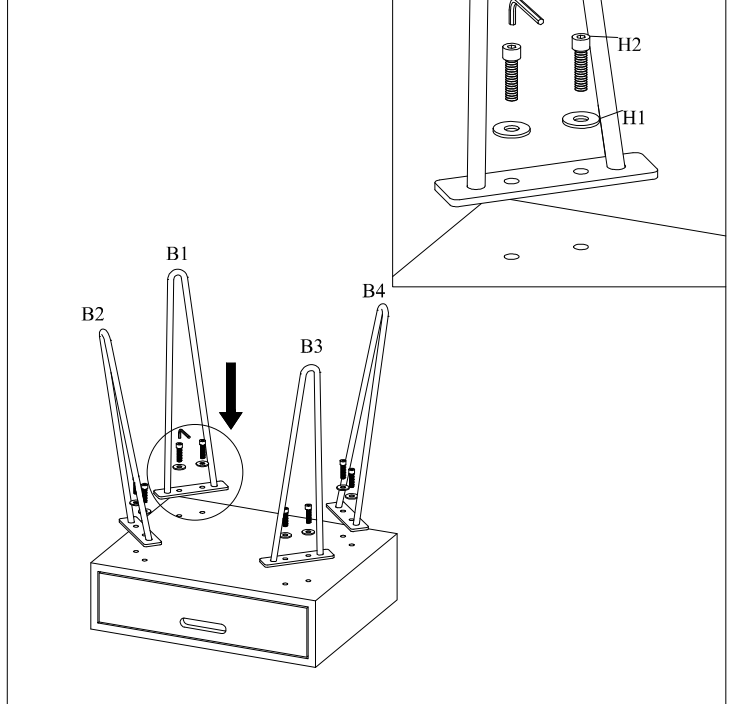
### Parts List / Liste des Pieces



### Step.1 / Etape .1



### Step.2 / Etape .2



### Step.3 / Etape .3

