
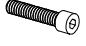





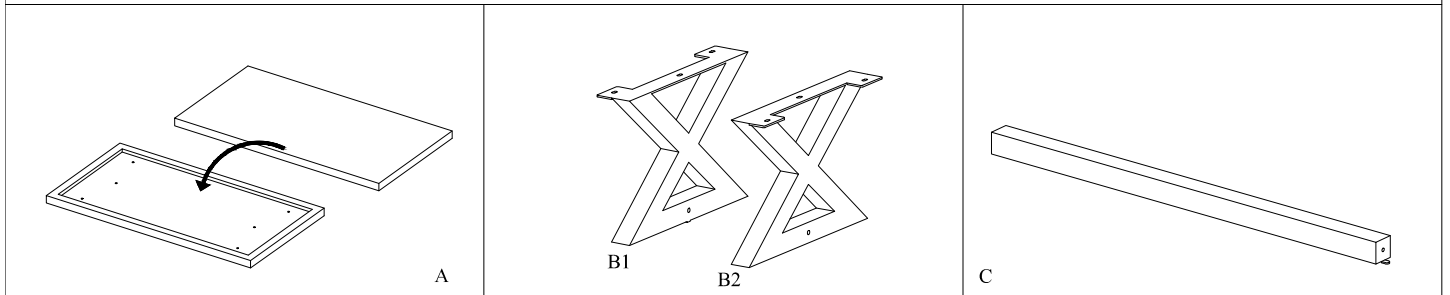
ZAX-201-147

Assembly Instruction/ Instructions D' assemblage

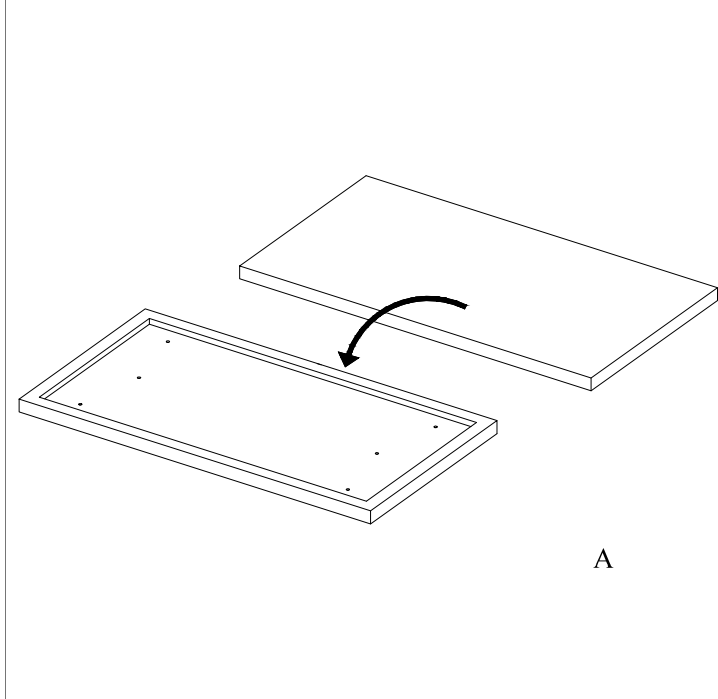
Hardware List / Liste de Materiel

 H1 x 6	 (Small) H2 x 6	 H3 x 2	 H4 x 4	 H5 x 1
---	---	--	--	---

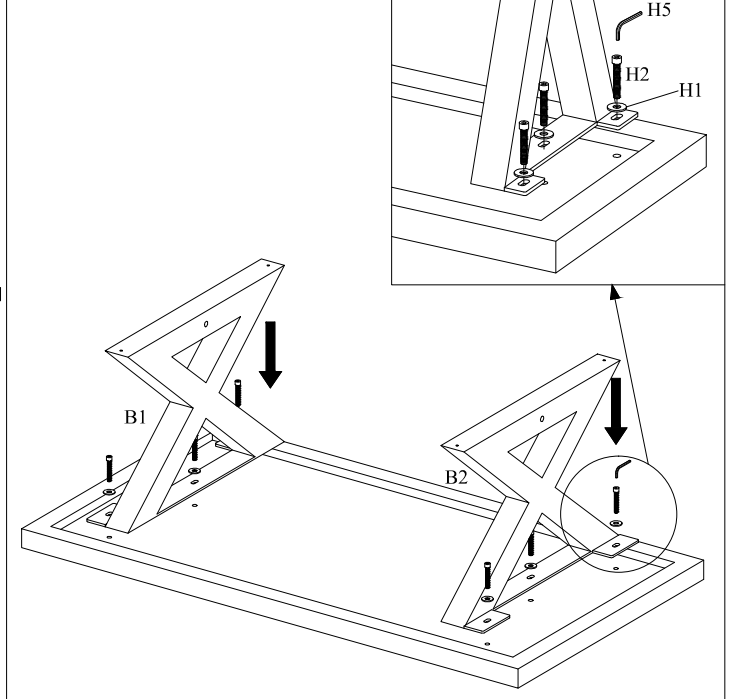
Parts List / Liste des Pieces



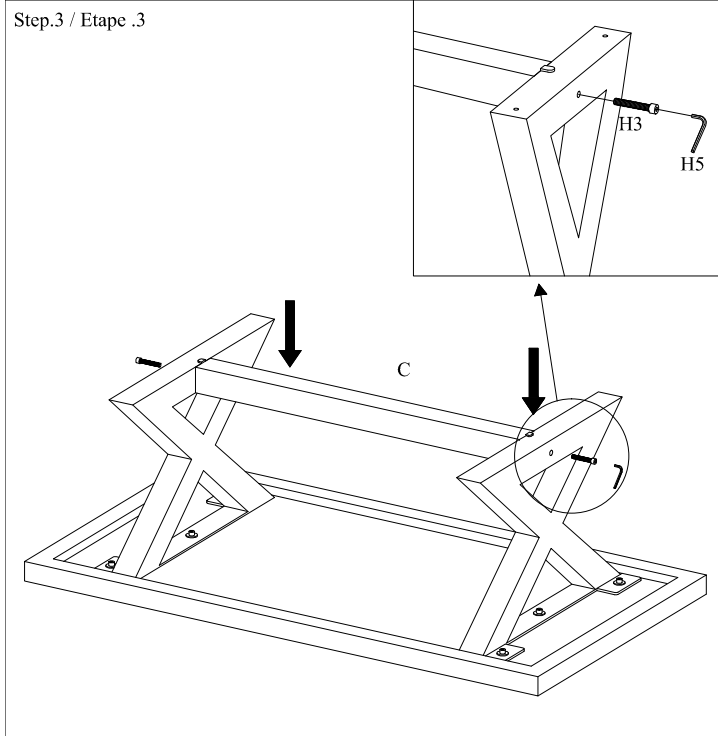
Step.1 / Etape .1



Step.2 / Etape .2



Step.3 / Etape .3



Step.4 / Etape .4

